

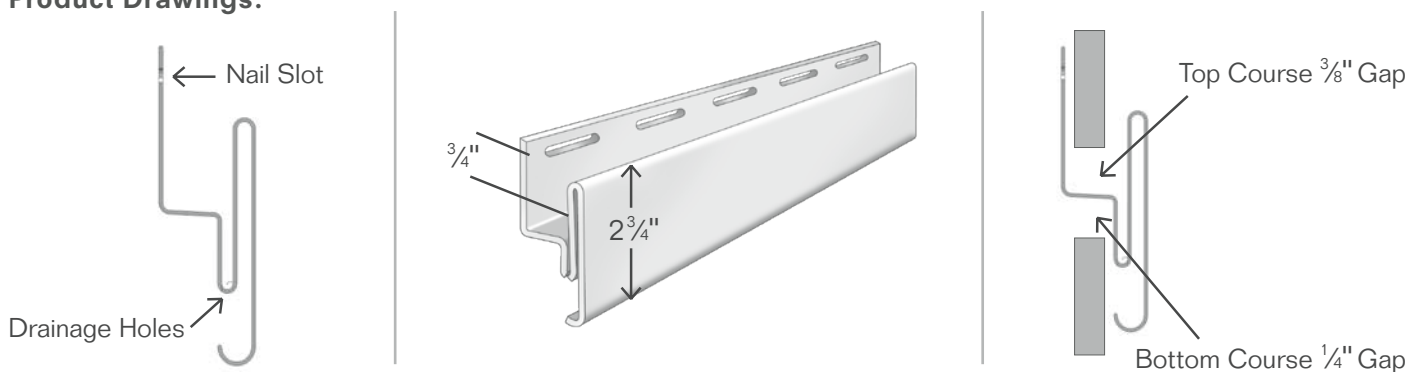
TRADITIONAL ACCESSORIES

Product Name: Board & Batten Trim

Product Codes: BBT (plus color code)

Product Application: For use as a transitional trim element between two courses of vertical siding or vertical siding over a course of horizontal siding. The product is designed with drainage holes to allow water from the upper panels to drain onto the face of the lower panels.

Product Drawings:



Product Specifications

Pocket Width: 3/4"

Piece Length: 12' 6"

Piece Finish: Brushed

Colors: All SmartStyles and SmartStylesExpressions offerings

Packaging Specifications

Pieces/Carton: 8 pieces per carton

Linear Feet/Carton: 100 linear feet

Installation Overview

The top course of vertical siding should not sit on the bottom of the pocket of the Board & Batten Trim. There should always be a 3/8" gap between the bottom of the panel and the bottom edge of the top pocket of the BBT. Likewise, the Board & Batten Trim part should not sit directly on the top of the bottom course. There should always be a 1/4" gap for the lower course. See drawing above.